



NOVITÀ



download price update

URC DOMO SMART

universal vmc
vertical and horizontal installation

URC DOMO SMART ultralight modular. With an efficiency of up to 90%, URC DOMO SMART units are ideal for internal ceiling or wall installation, and can be mounted both vertically and horizontally.

DESCRIPTION



Electronics Standard: Two modes ventilation operation:
Manual -Manually set the fan speed to high, medium and low.
Reduced -automatically sets the low fan speed.
Adjustable timer for cleaning and filter replacements.

Control Panel **CNV-BPM**.



Electronics Evolved: Regulation of the supply and return ventilation set, separately, with 10 speed steps. On/Off switching on and off.

Automatic bypass for free-cooling. Adjustable timer for cleaning and filter replacement. Weekly timer management for turning the ventilation unit on and off.

Control Panel **CNV-SMART** with management via SMART VENT APP.



CHARACTERISTICS

- Self-supporting sheet metal structure.
- Externally painted galvanized sheet metal panels with high density EPS insulation.
- High efficiency ($\leq 90\%$) countercurrent cross-flow polypropylene exchanger
- Summer and winter operation.
- Brushless fans with electronic motor and modulating control. Very high efficiency and low noise levels - ErP2018 compliant.
- Filters with low efficiency pressure drop ePM 1 - 70% (F7) on both fresh air and extracted air.

OPTIONAL:

- Distribution fitting with maximum 8 connections of $\varnothing 75$ mm.
- CO and humidity probe for monitoring air quality (CO2SENSOR-SMART module).

technical data

MODEL	VOLTAGE (V) 50HZ	CAPACITY MAX. (m ³ /h)	LEVEL OF POWER SOUND (Lwa)	EFFICIENCY (%)	CODE MACHINE	PRICE	CODE REGULATOR	PRICE
URC DOMO SMART 20Z	230	201	50dB	88	URC-DOMOSMART20ZS	€1,801.80	CNV-BPM	€205.20
	230	201	50dB	88	URC-DOMOSMART20ZE	€2,000.70	CNV-SMART	€291.60
URC DOMO SMART 40Z	230	383	56 dB	81	URC-DOMOSMART40ZS	€2,358.40	CNV-BPM	€205.20
	230	383	56 dB	81	URC-DOMOSMART40ZE	€2,571.50	CNV-SMART	€291.60

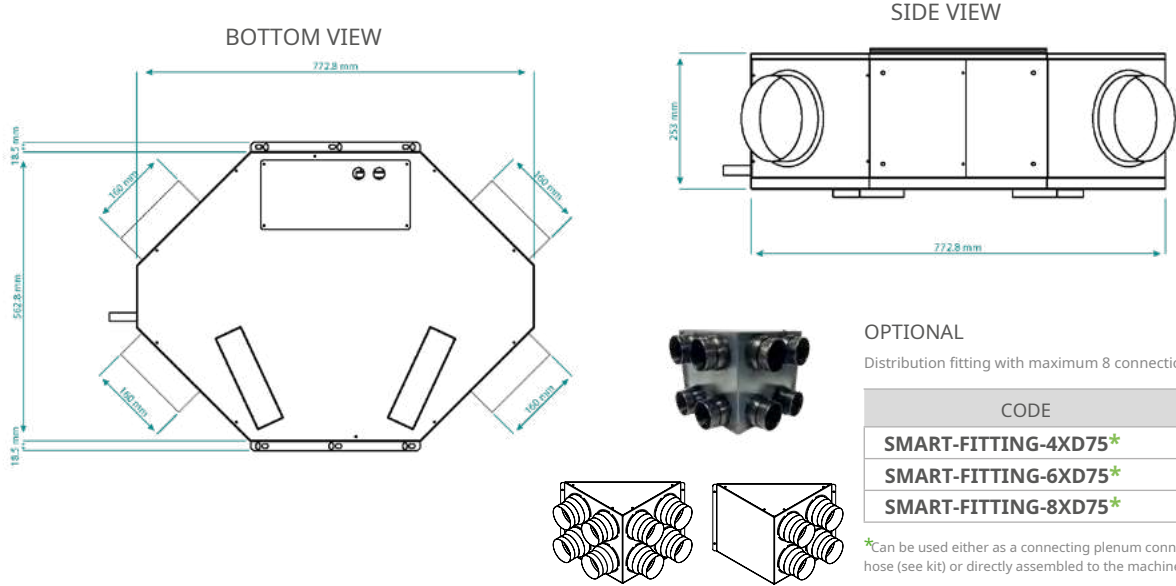
ENERGY CONSUMPTION	20 Z	40Z
cold area	A+ →	A+ →
middle area	A+ →	A →
hot area	E →	E →

OPTIONAL ACCESSORY

Probe to monitor CO, humidity and PM2.5 levels in real time. If one of these values exceeds the limit preset in the control menu, the unit will automatically adjust the flow of the fans, increasing or decreasing the intensity, until the levels are restored within the desired range.

CODE	DESCRIPTION	PRICE
CO2SENSOR-SMART	Detection probe parameters of Co, Humidity and PM2.5	€437.00

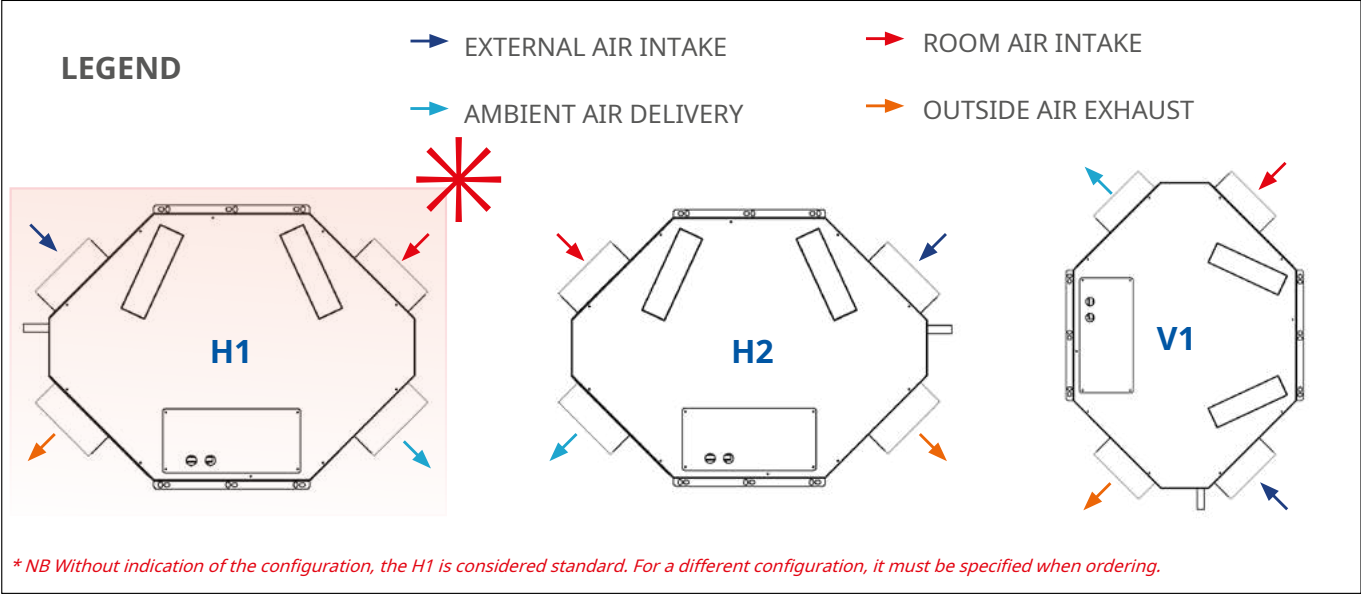
dimensions



OPTIONAL
Distribution fitting with maximum 8 connections OR75 mm.

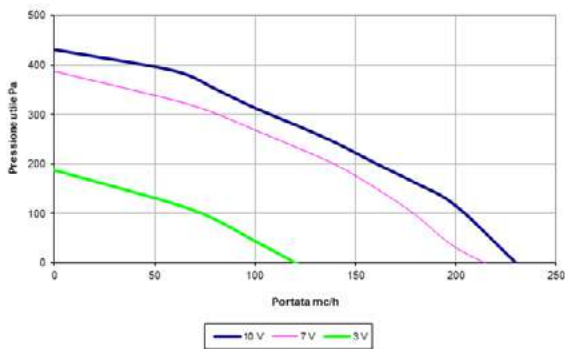
CODE	PRICE
SMART-FITTING-4XD75*	€192.90
SMART-FITTING-6XD75*	€180.50
SMART-FITTING-8XD75*	€241.10

*Can be used either as a connecting plenum connected via a flexible hose (see kit) or directly assembled to the machine.



performance graphs

URC DOMO SMART 20Z



URC DOMO SMART 40Z

